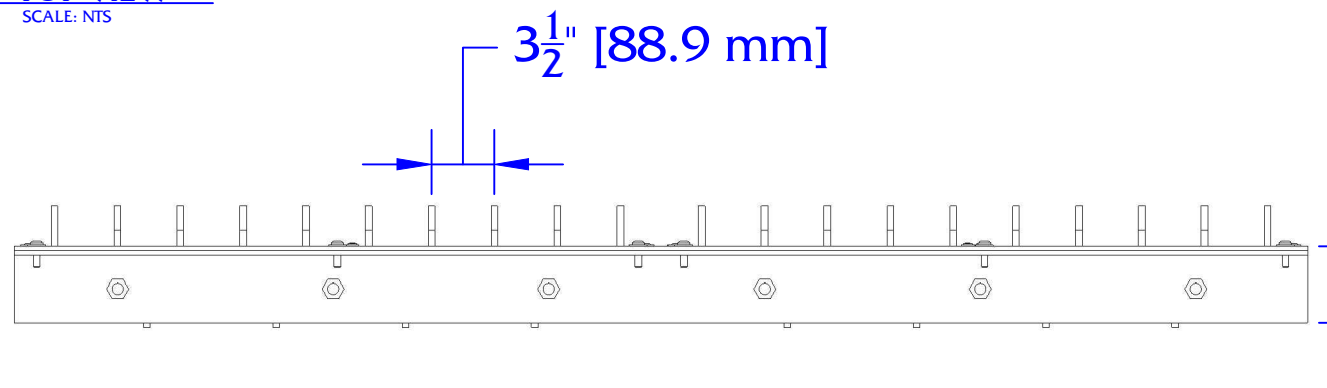
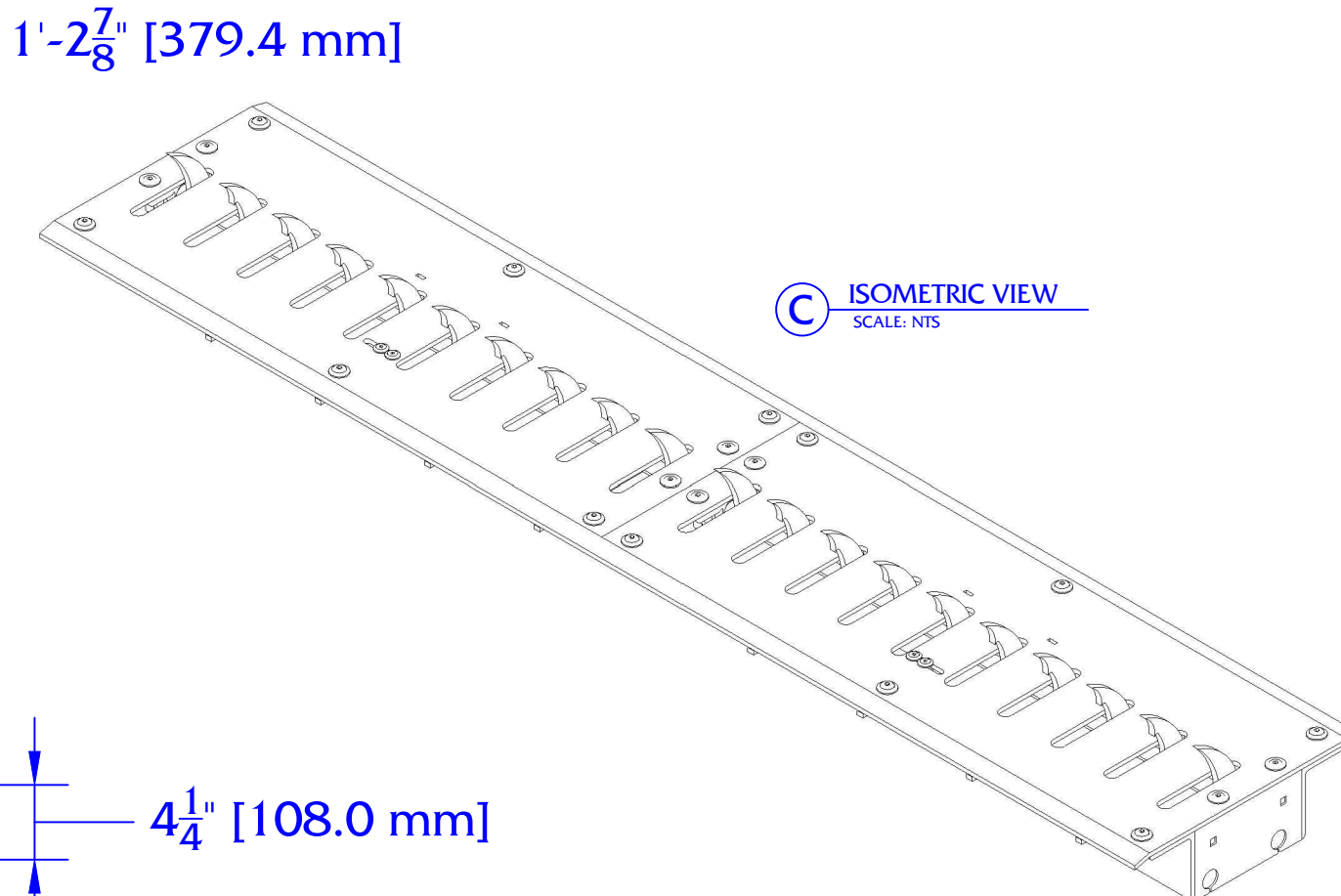


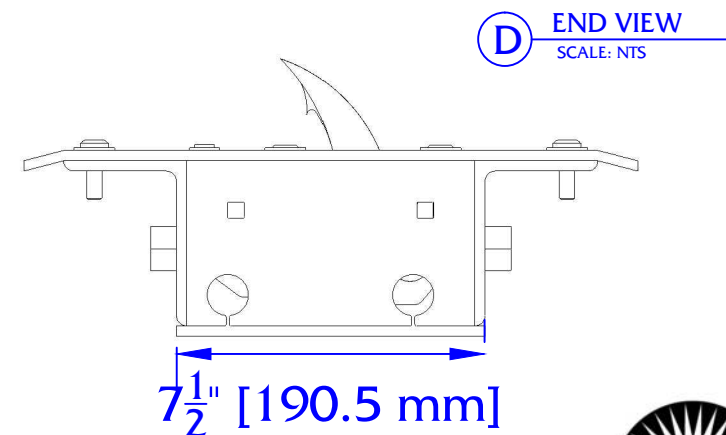
A TOP VIEW
SCALE: NTS



B FRONT VIEW
SCALE: NTS



C ISOMETRIC VIEW
SCALE: NTS



D END VIEW
SCALE: NTS



NOTES:

ALL STEEL CONSTRUCTION

PART NUMBERS:

11620.100 - PAINTED

11620.120 - GALVANIZED

11620.130 - POWDERCOATED



DESCRIPTION			
6' COBRA IG EASY INSTALL			
DATE	6/4/2013	SCALE	NTS
DRAWN BY	CWD	SHEET	1 OF 1
		SHEET SIZE	B
PART NUMBER	TC-11620.100		REVISION
			-