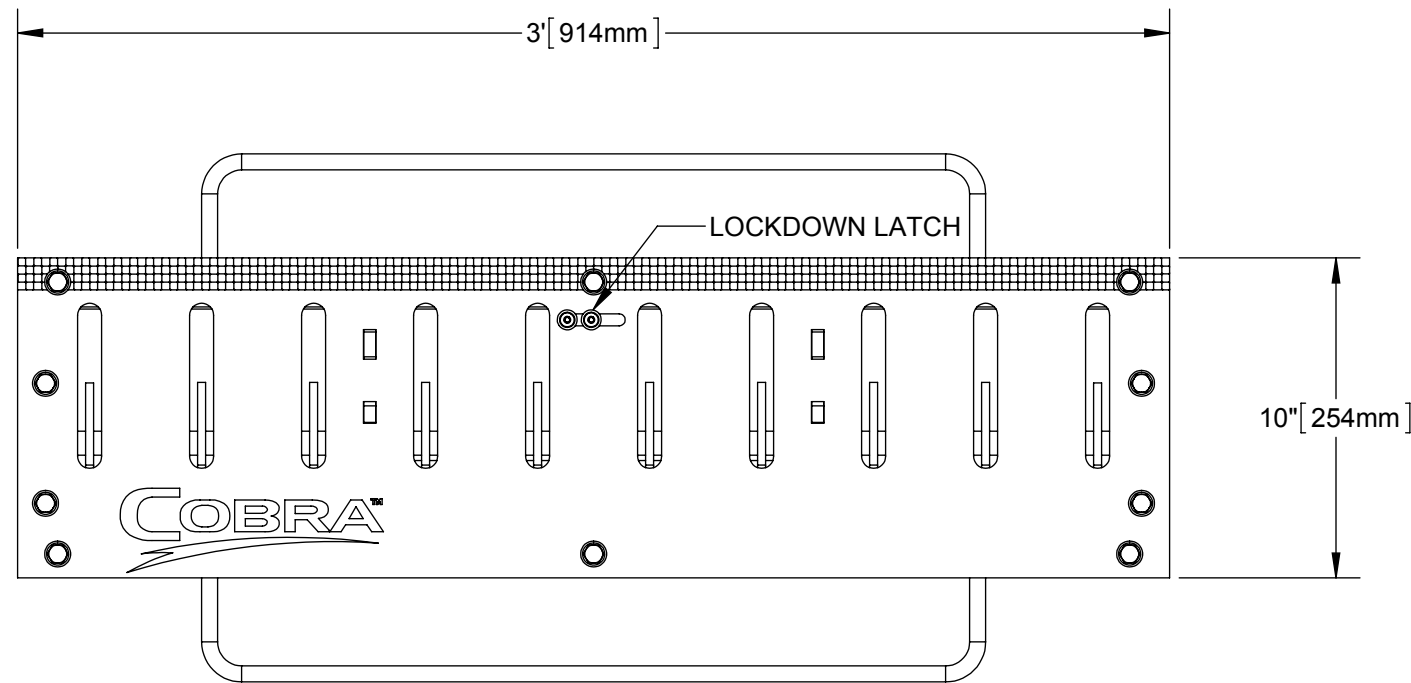


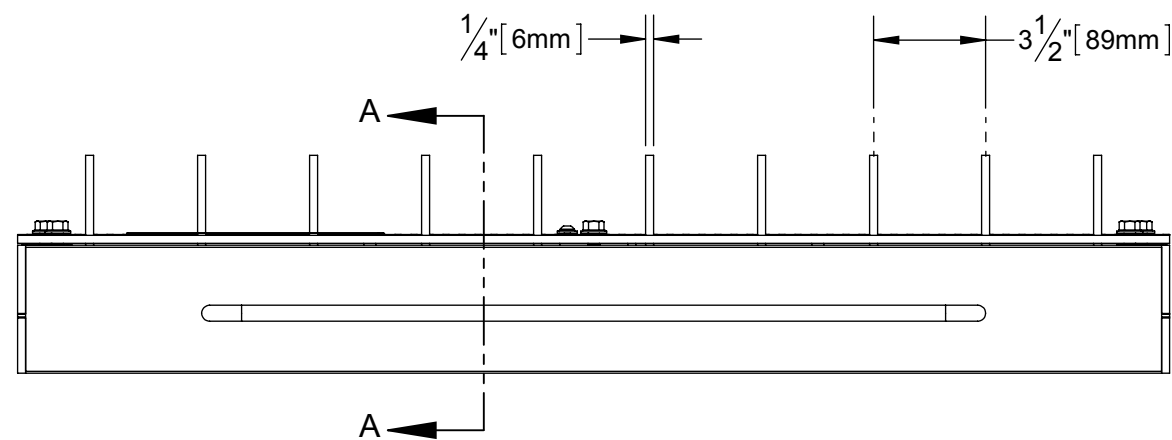
NOTES:
 ALL STEEL CONSTRUCTION
 PART NUMBERS:
 11300.100 - PAINTED
 11300.120 - GALVANIZED
 11300.130 - POWDER COATED



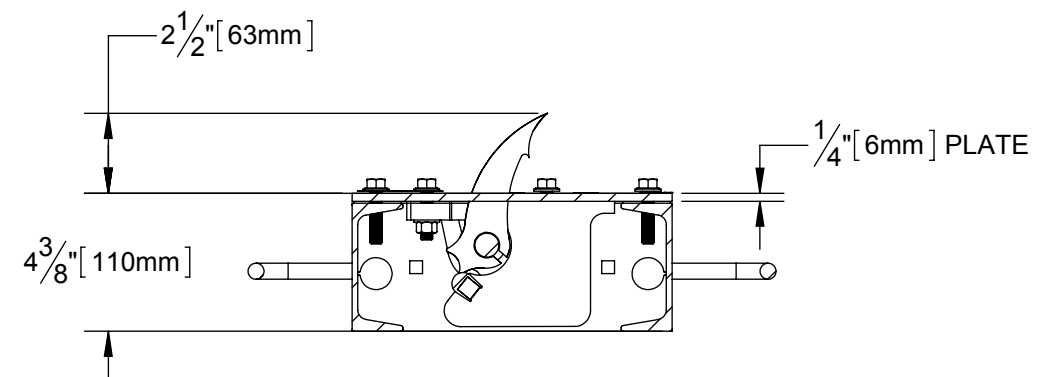
(A) TOP VIEW
 SCALE: NTS



(D) ISOMETRIC VIEW
 SCALE: NTS



(B) FRONT VIEW
 SCALE: NTS



SECTION A-A

(C) SIDE VIEW
 SCALE: NTS



Secure Lane LLC
 www.secure-lane.com
 520.780.9751

COPYRIGHT © 2013 GUARDIAN TRAFFIC SYSTEMS
 Proprietary Rights are included in all the information disclosed herein. This information is submitted in confidence and neither this document nor the information disclosed herein shall be reproduced or transferred to any other document, nor shall it be used or disclosed to any persons for manufacturing or any other reason except as specifically authorized in writing by Guardian Traffic Systems.

UNLESS OTHERWISE SPECIFIED:
 DIMENSIONS ARE IN INCHES
 TOLERANCES:
 FRACTIONAL: $\pm 1/8$ "
 ANGULAR: MACH $\pm 1^\circ$ BEND $\pm R1/64$ "
 TWO PLACE DECIMAL $\pm .01$
 THREE PLACE DECIMAL $\pm .005$

MATERIAL:		SIZE		PART NUMBER		REV		DESCRIPTION
N/A		B		11300		-		
DO NOT SCALE DRAWING	NAME	DATE	SCALE: N/A	WEIGHT: N/A	SHEET 1			
DRAWN	RLS	11/14/13						